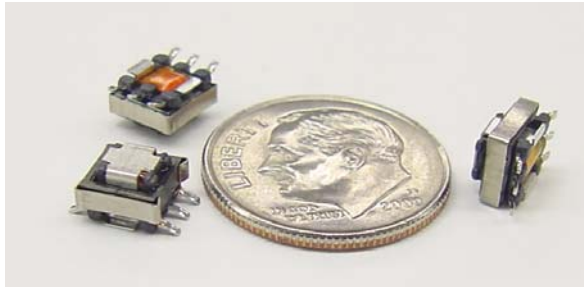


# SMD Current Sense Transformer CT317 Series

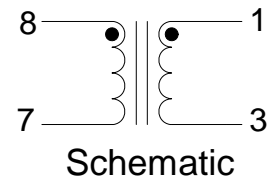
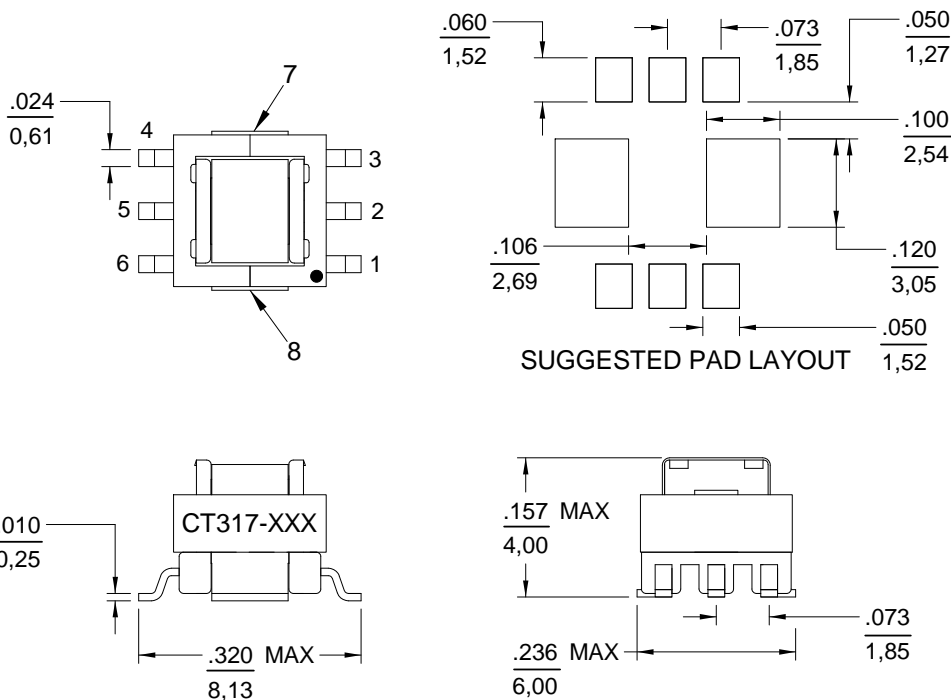


### Features

- Low Profile – Height: 4.0mm Max.
- Primary Rated for 6 Amps RMS Max.
- Operating Frequency Range: 10kHz to 1MHz
- Temperature range -40°C to +130°C
- Electrical Specifications @ 25°C
- Tinned Leads with Leaded Solder is Available (note 6)

Datatronics Part Number	Turns Ratio (± 2%)	Inductance (1-3) $\mu$ H (TYP)	DCR (1-3) $\Omega$ (MAX)	Hipot Vrms
CT317-020	1:20	100	0.50	500
CT317-030	1:30	230	0.75	500
CT317-040	1:40	440	1.03	500
CT317-050	1:50	670	1.61	500
CT317-060	1:60	1000	1.98	500
CT317-070	1:70	1300	2.97	500
CT317-100	1:100	2800	5.36	500
CT317-125	1:125	4400	6.67	500
CT317-200	1:200	12200	33.24	500

### Mechanical Outline:



### Notes:

- 1.) All dimensions are in inches/mm  
Tolerance:  $\pm 0.010/0,25$  unless otherwise specified
- 2.) Inductance tested at 10 kHz, 0.1Vrms
- 3.) Coplanarity: 0.004/0,102
- 4.) Tape and reel quantity, 550 pcs/reel
- 5.) Terminating resistor ( $R_T$ ) calculated:  
 $R_T = (N_{TURNS} / I_{PRI}) * V_{REF}$
- 6.) For Non-RoHS parts, replace CT prefix with -42 e.g. CT317 becomes 42-317
- 7.) Terminal finish compliant to RoHS requirements. Solder in accordance with J-STD-020D