

DR217-9 SERIES RADIAL LEADED INDUCTORS

Features

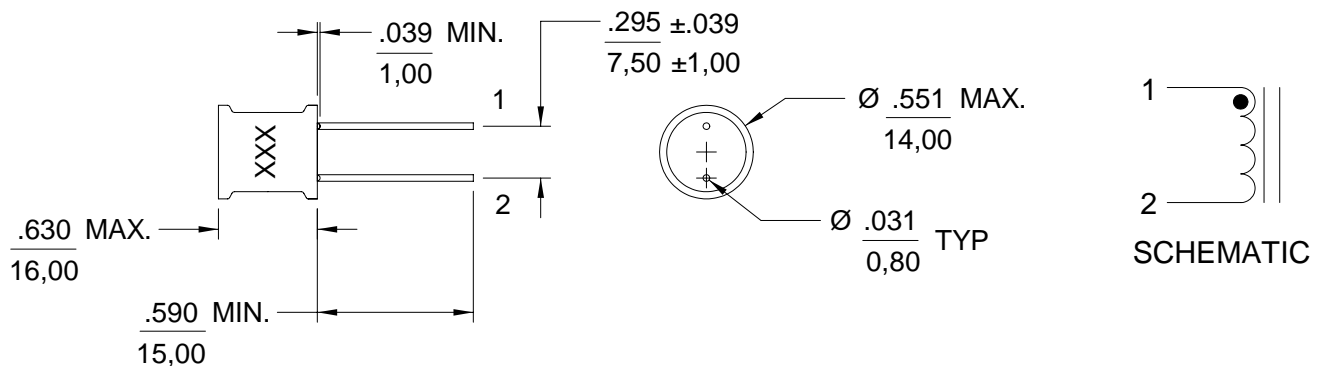
- Designed for EMI Filters & Switching Power Supplies
- Inductance Range from 10 μ H to 10mH
- Operating Temp. -20°C to +80°C
- Tinned Leads with Leaded Solder is Available (note 5)



ELECTRICAL SPECIFICATIONS AT 25°C

Part Number	Inductance (μ H) @1kHz	DCR (Ohm) Max.	Rated Current (A) Max. I sat	Rated Current (A) Max. I rms
DR217-9-103	10 \pm 20%	0.023	8	5.1
DR217-9-153	15 \pm 10%	0.028	6.5	4.5
DR217-9-223	22 \pm 10%	0.035	5.5	4.2
DR217-9-333	33 \pm 10%	0.043	4.5	3.7
DR217-9-473	47 \pm 10%	0.052	3.6	3.4
DR217-9-683	68 \pm 10%	0.068	3.1	3.0
DR217-9-104	100 \pm 10%	0.097	2.6	2.5
DR217-9-154	150 \pm 10%	0.14	2.1	2.1
DR217-9-224	220 \pm 10%	0.2	1.7	1.7
DR217-9-334	330 \pm 10%	0.3	1.4	1.4
DR217-9-474	470 \pm 10%	0.43	1.1	1.1
DR217-9-684	680 \pm 10%	0.61	0.95	0.99
DR217-9-105	1000 \pm 10%	1.0	0.78	0.78
DR217-9-155	1500 \pm 10%	1.3	0.64	0.68
DR217-9-225	2200 \pm 10%	2.0	0.53	0.55
DR217-9-335	3300 \pm 10%	3.1	0.43	0.44
DR217-9-475	4700 \pm 10%	4.4	0.36	0.37
DR217-9-685	6800 \pm 10%	6.5	0.3	0.3
DR217-9-106	10000 \pm 10%	10	0.24	0.24

MECHANICAL SPECIFICATIONS



NOTES:

1. Dimensions are shown in inches/millimeters
2. Unless otherwise specified, tolerance = Inches: ± 0.012
= Millimeters: $\pm 0,30$
3. Isat based on the inductance being 90% of its initial value
4. I rms based on a temperature rise of 20°C
5. For non-RoHS parts replace DR prefix with 42- (e.g. DR217-9 becomes 42-217-9)
6. Terminal finish is compliant to RoHS requirements