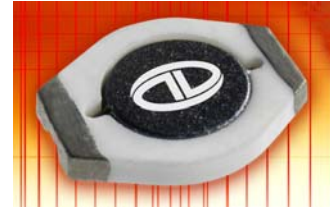


SMD INDUCTOR DR331-5 SERIES

Features

- Low Profile Surface Mount Design
- Inductance Range from 1.2 μ H to 330 μ H
- Operating Temp. -20°C to +80°C
- Tinned Leads with Leaded Solder is Available (note 6)

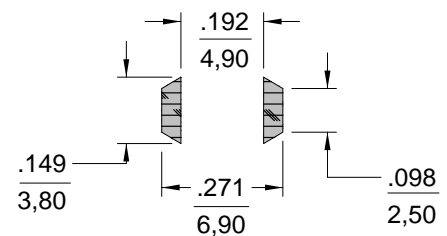
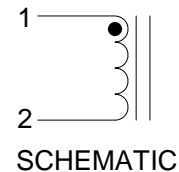
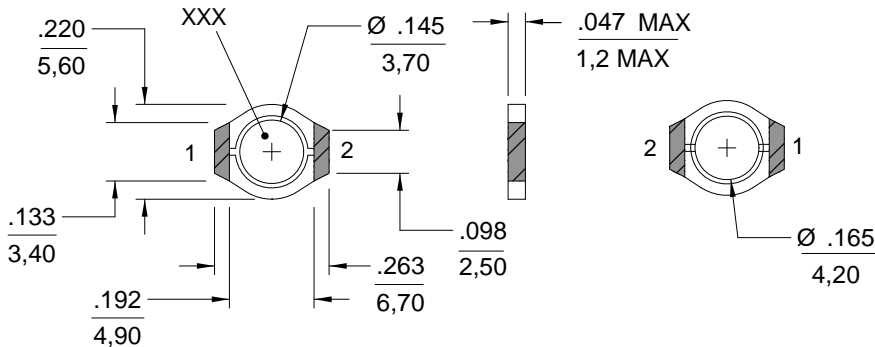


ELECTRICAL SPECIFICATIONS AT 25°C

Part Number	Inductance (μ H)	DCR (Ω) Max.	I sat (A) Max. (Note 2)	I rms Max. (Note 3)	SRF (MHz) REF.
DR331-5-122-Y	1.2 \pm 20%	0.08	2.1	1.7	190
DR331-5-152-Y	1.5 \pm 20%	0.1	1.9	1.5	140
DR331-5-222-Y	2.2 \pm 20%	0.12	1.6	1.4	115
DR331-5-332-Y	3.3 \pm 20%	0.16	1.3	1.2	90
DR331-5-472-Y	4.7 \pm 20%	0.2	1.1	1.1	88
DR331-5-682-Y	6.8 \pm 20%	0.32	0.9	0.85	66
DR331-5-103-Y	10 \pm 20%	0.41	0.8	0.75	55
DR331-5-153-Y	15 \pm 20%	0.65	0.65	0.6	42
DR331-5-223-Y	22 \pm 20%	0.85	0.5	0.52	38
DR331-5-333-Y	33 \pm 20%	1.3	0.4	0.42	29
DR331-5-473-Y	47 \pm 20%	1.8	0.35	0.36	22
DR331-5-683-Y	68 \pm 20%	2.5	0.3	0.3	18
DR331-5-104-Y	100 \pm 20%	3.5	0.25	0.26	14
DR331-5-154-Y	150 \pm 20%	5	0.18	0.21	12
DR331-5-224-Y	220 \pm 20%	7	0.16	0.18	10
DR331-5-334-Y	330 \pm 20%	15	0.13	0.13	8

Suffix -Y: Specify (-1) for gold wrap around or (-2) for tin wrap around terminations .

MECHANICAL SPECIFICATIONS



NOTES:

1. Dimensions are shown in inches/millimeters
Unless otherwise specified, tolerance
= Inches: ± 0.010
= Millimeters: $\pm 0,30$
2. Isat based on the inductance being 90% of its initial value
3. I_{rms} based on temperature rise of 40°C
4. Tape & Reel Packaging
5. Inductance tested at 0.1 V_{rms} @ 100 kHz
6. For non-RoHS parts replace DR prefix with 42- (e.g. DR331-5 becomes 42-331-5)
7. Terminal finish is compliant to RoHS requirements. Solder in accordance with J-STD-020D.