

SHIELDED SMD INDUCTOR DR331-7 SERIES

Features

- Inductance Range: 1.0 μ H to 10000 μ H
- Operating Temp. -40°C to +85°C
- Non-RoHS Version with Gold Plated Leads is Available (note 6)



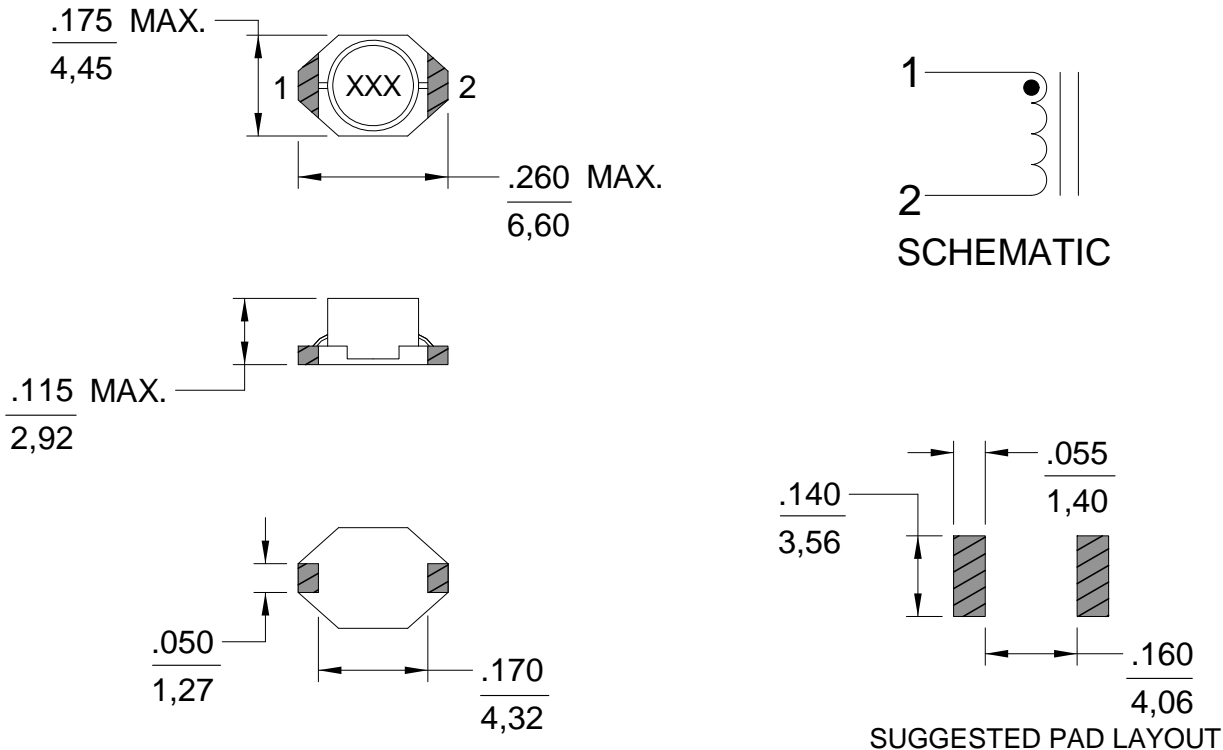
ELECTRICAL SPECIFICATIONS AT 25°C

Part No.	Inductance μ H	DCR (Ω) Max.	I rms (A) Max. (Note 3)	I sat (A) Max. (Note 2)	SRF (MHz) REF.	Q Min
DR331-7-102	1.0 \pm 20%	0.04	3	1.1	250	30 @200kHz, 0.1V
DR331-7-152	1.5 \pm 20%	0.045	2.8	0.90	125	30 @200kHz, 0.1V
DR331-7-222	2.2 \pm 20%	0.05	1.8	0.68	120	40 @200kHz, 0.1V
DR331-7-332	3.3 \pm 20%	0.055	1.6	0.40	120.0	40 @200kHz, 0.1V
DR331-7-472	4.7 \pm 20%	0.06	1.4	0.38	105.0	40 @200kHz, 0.1V
DR331-7-682	6.8 \pm 20%	0.065	1.2	0.36	50.0	40 @200kHz, 0.1V
DR331-7-103	10 \pm 20%	0.075	1	0.24	38.0	40 @200kHz, 0.1V
DR331-7-153	15 \pm 20%	0.09	0.8	0.18	33.0	40 @100kHz, 0.1V
DR331-7-223	22 \pm 20%	0.11	0.7	0.16	25	40 @100kHz, 0.1V
DR331-7-333	33 \pm 20%	0.19	0.6	0.14	20	40 @100kHz, 0.1V
DR331-7-473	47 \pm 20%	0.23	0.5	0.12	20.0	40 @100kHz, 0.1V
DR331-7-683	68 \pm 20%	0.29	0.4	0.10	15.0	40 @100kHz, 0.1V
DR331-7-104	100 \pm 20%	0.48	0.3	0.04	10	40 @100kHz, 0.1V
DR331-7-154	150 \pm 20%	0.59	0.26	0.04	9.0	40 @100kHz, 0.1V
DR331-7-224	220 \pm 20%	0.9	0.22	0.04	6.0	40 @100kHz, 0.1V
DR331-7-334	330 \pm 20%	1.4	0.2	0.04	5.0	40 @100kHz, 0.1V
DR331-7-474	470 \pm 20%	1.8	0.19	0.04	4.0	40 @100kHz, 0.1V
DR331-7-684	680 \pm 20%	2.2	0.18	0.02	3.0	40 @100kHz, 0.1V
DR331-7-105	1000 \pm 20%	3.4	0.15	0.02	2.0	40 @100kHz, 0.1V
DR331-7-155	1500 \pm 20%	4.2	0.12	0.02	2.0	50 @100kHz, 0.1V
DR331-7-225	2200 \pm 20%	8.5	0.1	0.02	2.0	50 @100kHz, 0.1V
DR331-7-335	3300 \pm 20%	11	0.08	0.02	1.0	50 @100kHz, 0.1V
DR331-7-475	4700 \pm 20%	13.9	0.06	0.02	1.0	50 @100kHz, 0.1V
DR331-7-685	6800 \pm 20%	25	0.04	0.02	1.0	50 @100kHz, 0.1V
DR331-7-106	10000 \pm 20%	32.8	0.02	0.02	0.8	50 @100kHz, 0.1V



SHIELDED SMD INDUCTOR DR331-7 SERIES

MECHANICAL SPECIFICATIONS



NOTES:

- Dimensions are shown in inches/millimeters
Unless otherwise specified, tolerance
= Inches: ± 0.010
= Millimeters: $\pm 0,30$
- Isat based on the inductance being 90% of its initial value
- Irms based on temperature rise of 40°C
- Tape & Reel Packaging, 2000 pcs / reel.
- Inductance tested at 0.1 Vrms @ 100 kHz.
- Non-RoHS series parts 42-331-7-XXX are double dipped or tinned with Sn60Pb40 solder to cover gold plating.
- Terminal finish is compliant to RoHS requirements and is 100 micro inches nominal thickness.
- Solder in accordance with J-STD-020 Rev. D