

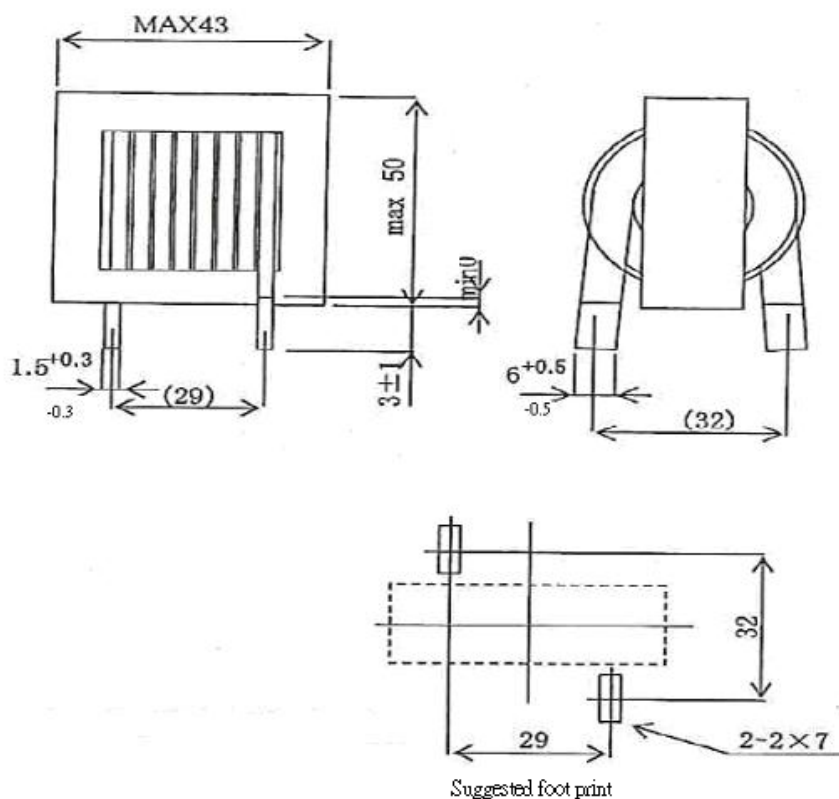
DR79893

FLAT WIRE, THRU-HOLE, POWER INDUCTOR

Electrical Specifications @ 25°C

Inductance	= 45 μ H \pm 20% @I _{dc} =0A, 100kHz,1mA
Rated Inductance	= 40 μ H \pm 20% @I _{dc} =30A, 100kHz,1mA
Rated Current	= 30A
DC Resistance	= 4.0m Ω maximum
Isolation	= 500Vac between coil and core
Insulation	= min 100M Ω at 500Vdc between coil and core.
Insulation class	= class E

MECHANICAL SPECIFICATIONS



All dimensions are given in millimeters, unless otherwise specified, tolerance ± 0.5 mm